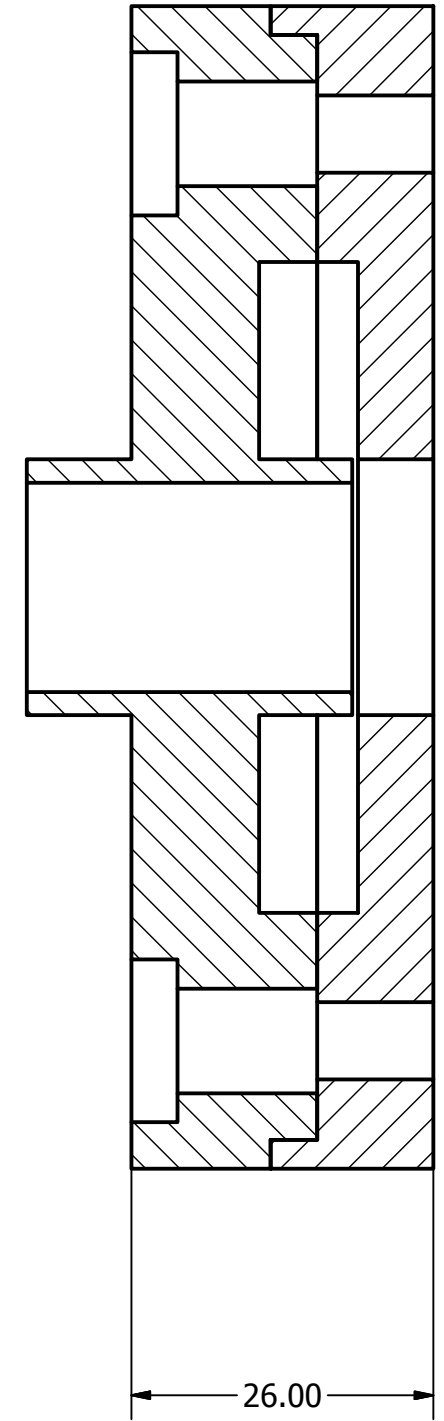
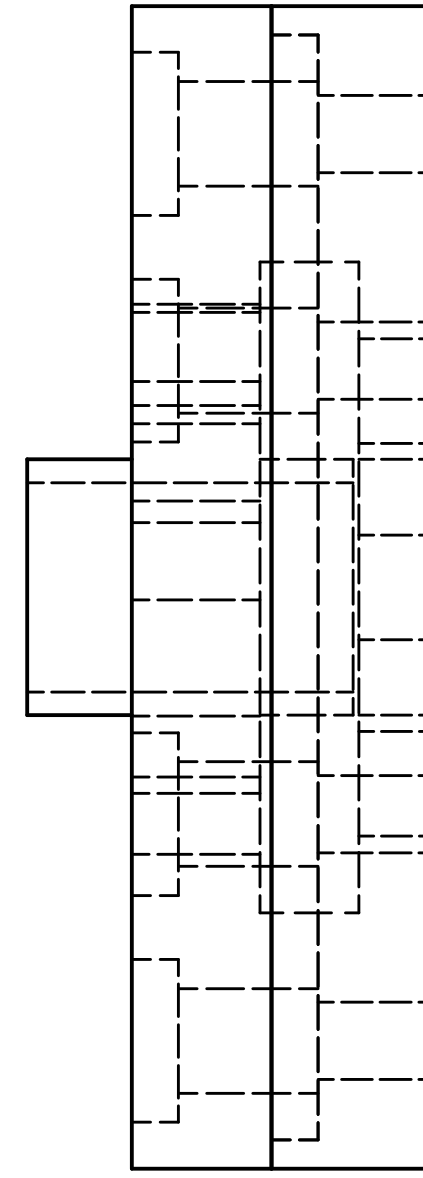
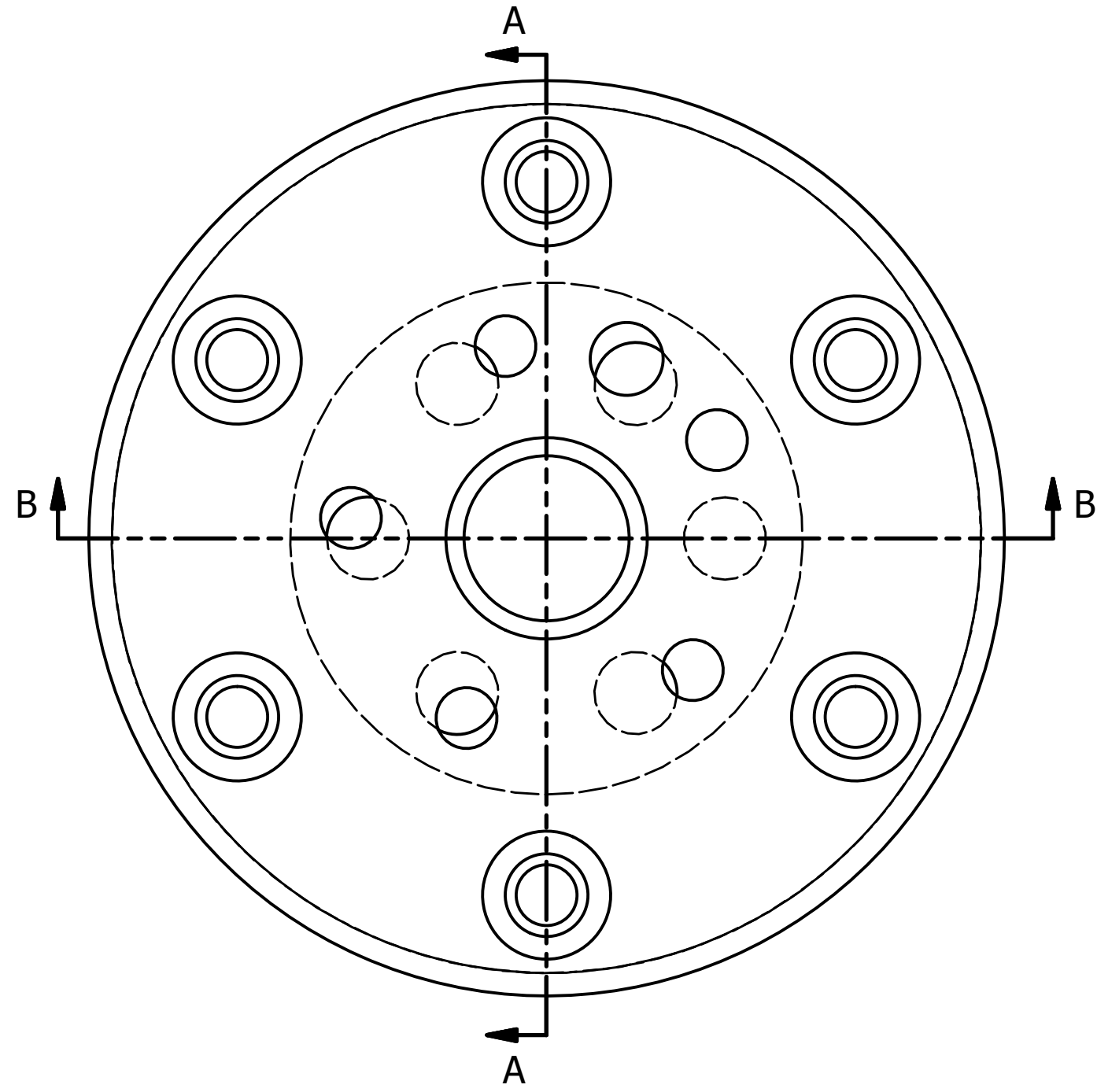
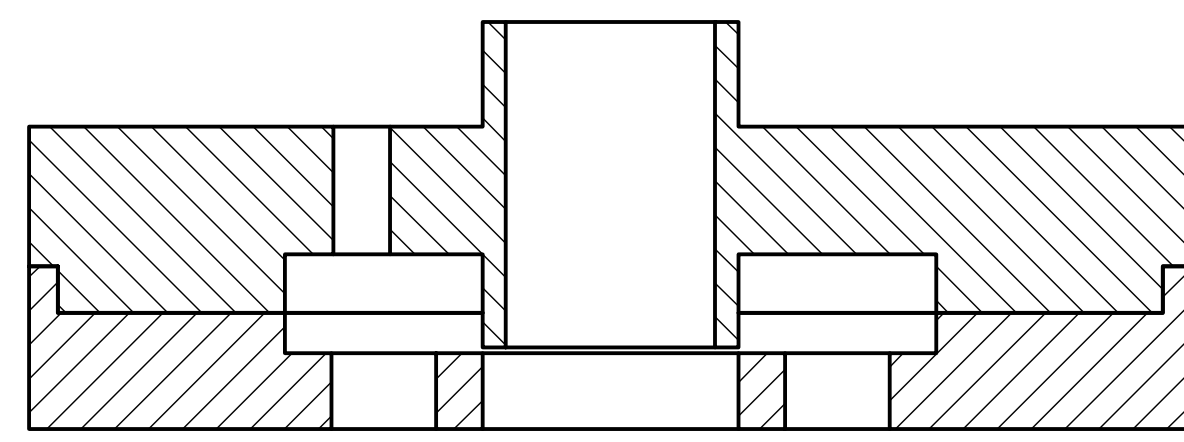
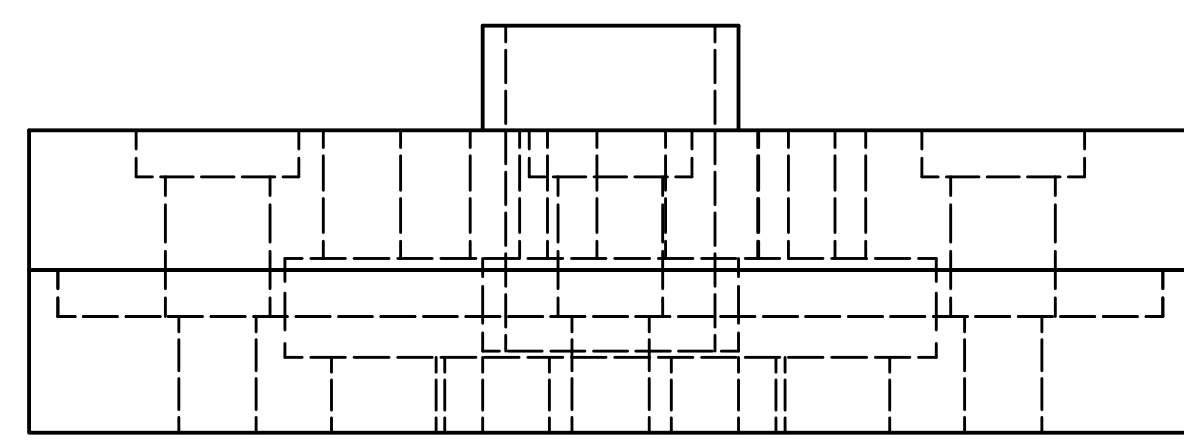


REVISION HISTORY				
ZONE	REV	DESCRIPTION	DATE	APPROVED
	1	PRODUCTION RELEASE	23/09/2011	



SECTION A-A
SCALE 1 : 0.65



SECTION B-B
SCALE 1 : 0.65

DRAWN Luke Hopkins	23/09/2011	Creative Genius Design		
CHECKED		TITLE		
QA		Fly Wheel Adaptor Plates Assy		
MFG		SIZE C	DWG NO FlyWheel Adaptor Plates Assy 1	REV 1
APPROVED		SCALE	SHEET 1 OF 1	